



SPARE PARTS

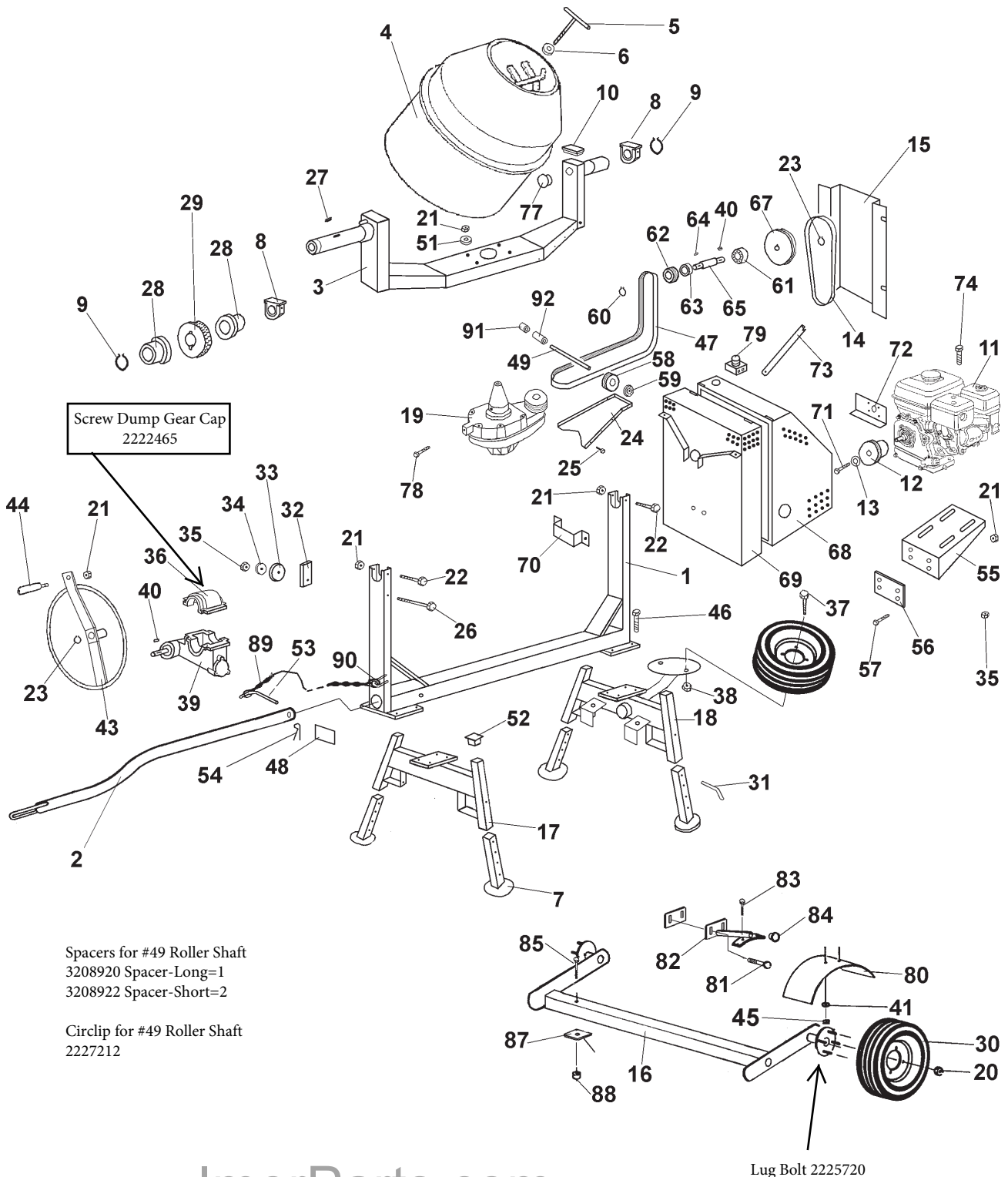
DRAWING 1.3 (WORKMAN II 250 CONCRETE MIXER - 1105850)

Ref.	P.n.	Main Description	NOTES
1	3209287	MAIN FRAME	
2	3209294	TOW BAR	
3	3208906	ARM	
4	3208811	DRUM ASS'Y	
5	3206690	T-BOLT	
6	3207225	T-BOLT WASHER	
7	3209949	STABILIZING FOOT	
8	3208792	NYLON FIBER BUSHING	
9	2227205	CIRCLIP	E 50
10	3209032	PLASTIC PLUG	
11	3209298	ENGINE	HONDA G 150
	3223725		ROBIN EX17 DU
12	3209052	MOTOR PULLEY	
13	3206322	WASHER	8X30X5
14	2210950	MOTOR BELT	
15	3233705	BELT GUARD	
16	2248216	TORSION BAR AXLE	
17	3209293	LEG FRAME	
18	3209250	REAR LEG FRAME	
19	3208924	GEAR BOX	
20	2223980	WHEEL NUT	S 190 TT
21	2223923	SELF LOCKING NUT	M 8 Z
22	2222114	BOLT	M8X90 Z
23	2227320	CIRCLIP	E 20
24	3208925	GEAR BOX BELT COVER	
25	2222420	BOLT	4,8X13
26	3209134	BOLT	M10X140Z
27	3208776	KEY WAY	14X9X25
28	3208770	BUSHING	
29	3208773	DUMP GEAR	Z 32
30	2211407	TIRE + WHEEL	
31	3206704	ANCHOR PIN	
32	3208944	BUMPER PAD	
33	3208790	BUMPER PAD	
34	2224220	WASHER	D10X40
35	2223920	SELF LOCKING NUT	M10 Z
36	3209429	CAST CAP	
37	2222181	BOLT	
38	2223921	SELF LOCKING NUT	
39	3209786	DUMP GEAR CASTING	
40	2229300	KEY WAY	6X6X20
41	2224204	WASHER	D 8X24
42	3205545	RUBBER SWITCH CUP	E 20
43	3228750	DUMP WHEEL	
44	3206748	DUMP HANDEL	
45	2223923	SELF LOCKING NUT	M8 Z
46	2222077	BOLT	M8X20 Z
47	3209049	BELT - GEAR BOX DRIVE	530 J6
48	3209289	SAFETY LABEL	S 190 TT
49	3208916	ROLLER SHAFT	
51	3203917	WASHER	D8X25X4 Z
52	3201015	LEG CAP	
53	3209467	ANCHOR PIN	
54	2226700	SPLIT PIN	
55	3210560	ENGINE MOUNTING FRAME	
56	3209119	ENGINE MOUNTING PLATE	
57	2222148	BOLT	M10X65 Z
58	3208915	ROLLER GUIDE	
59	2204421	ROLLER BEARING	6201 2RS
60	1227330	CIRCLIP	E 15
61	2204438	DRIVE SHAFT BEARINGS	6004 2RS
62	3208919	GEAR BOX DRIVE PULLEY	
63	3209055	SPACER	
64	3203117	KEY WAY	5X5X20
65	3209054	SHAFT	
67	3209053	ENGINE PULLEY	
68	3233702	CANOPY DOOR	
69	3233700	CANOPY REAR	
70	3209120	MOUNTING BRACKET	
71	2221994	PULLEY BOLT	5/16"X25 Z
72	3209136	ENGINE PULLEY GUARD	
73	3209111	LOCK LEVER ROD	
74	2222190	BOLT	M8X40 Z
77	3209133	DUMP ARM PLUG	
78	2222091	BOLT	M8X70 Z
79	3205544	KILL BUTTON	
80	3206011	FENDER	
81	2222146	BOLT	
82	FENDER ARM: Left 3207781; Right 3207782		
83	2222076	BOLT	M8X20 Z
84	2235452	PLUG	
85	3206855	BOLT	
87	3206861	AXLE MOUNTING SPACER	
88	2223929	NUT	
89	2234861	TOW CHAIN	
90	2292298	QUICK CLIP	
91	3208921	SHORT SPACER	
92	3208923	LONG SPACER	

InterParts.com
888-654-4289

AtiBuy Stores Company

DRAWING 1.3 WORKMAN II 250 CONCRETE MIXER



Spacers for #49 Roller Shaft
3208920 Spacer-Long=1
3208922 Spacer-Short=2

Circlip for #49 Roller Shaft
2227212

ImerParts.com
888-634-4289
An iBuy Stores Company



TABLE 2 - GEAR BOX : WORKAM II 250 (COD. 3208746)

RIF.	COD.	GB	NOTE
1	2222018	BOLT	M8 X 35 Z
2	3213896	OIL SEAL	72X52X8
3	2222112	BOLT	M8 X 100 Z
4	3209681	GEAR BOX CASE	
5	3213887	GEAR BOX GASKET	
6	2228360	SHEAR PIN	8 X 16
7	3213897	KEY WAY	10X8X15
8	3203703	BEARING	6301
9	2202493	GEAR WHEEL	Z.79
10	2229249	KEY	5X5X12
11	3208754	PINION GEAR	Z9 M 1,75
12	3209680	GEAR BOX CASE	
13	3200094	OIL SEAL	35X20X7
14	2229250	KEY	5X5X15
15	2204442	BEARING	6004
16	3209770	PINION GEAR	Z9 M 1,25
17	2222114	BOLT	M8 X 90 Z
18	3208919	PULLEY	
19	3208752	SPACER	
20	2223570	NUT	M8 Z
21	2224140	WASHER	D=8 Z
22	3213899	BEARING	6209 SKF
23	2227220	CIRCLIP	E 40
24	3208756	GEAR	Z68
25	3213898	BEARING	6207 SKF
26	2228820	LOCATING PIN	D=6X14
27	3208748	DRIVE SHAFT	
28	1227330	CIRCLIP	E 15
29	2224060	WASHER	D=8 Z

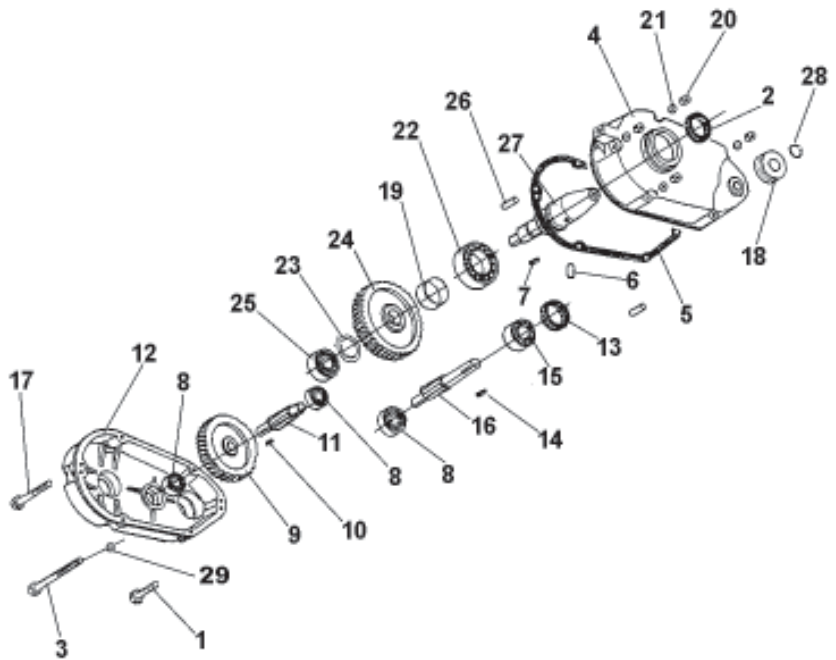


TABLE 3 - DRUM REDUCTION UNIT

RIF.	COD.	DESCRIPTION	NOTE
1	3209428	GEAR BOX CASE	
2	3209430	COVER	
3	3213893	DUMP GEAR	M10X110 Z
4	2222465	BOLT	M5X15 Z
5	3213811	OIL SEAL RING	47X17X7
6	3209728	SCREW	M6X15
7	3213264	PINION GEAR	Z 20
8	2229259	KEY WAY	6X6X14
9	3208771	SHAFT	
10	2229300	KEY WAY	6X6X20
11	2227320	CIRCLIP	E 20
12	3208952	BEARING	6206 2Z
13	2204391	BEARING	6205 2Z
14	2204484	BEARING	6203 2Z
16	2204560	BEARING	6204 2RS
17	3209431	COVER	



ImerParts.com
888-634-4289
An iBuy Stores Company