

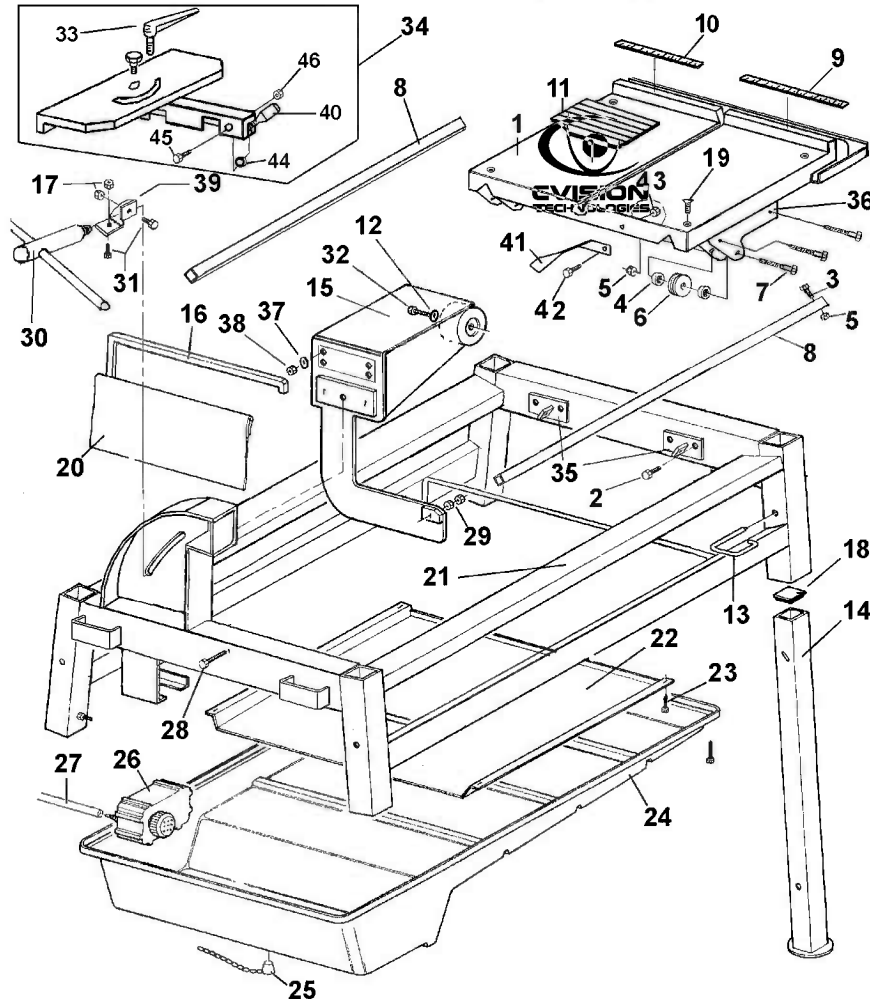


18. SPARE PARTS :All orders for spare parts must indicate the following: 1 - Type of machine.2 - Part number and position number of each part.3 - Serial number and year of manufacture reported on the machine's identification plate.

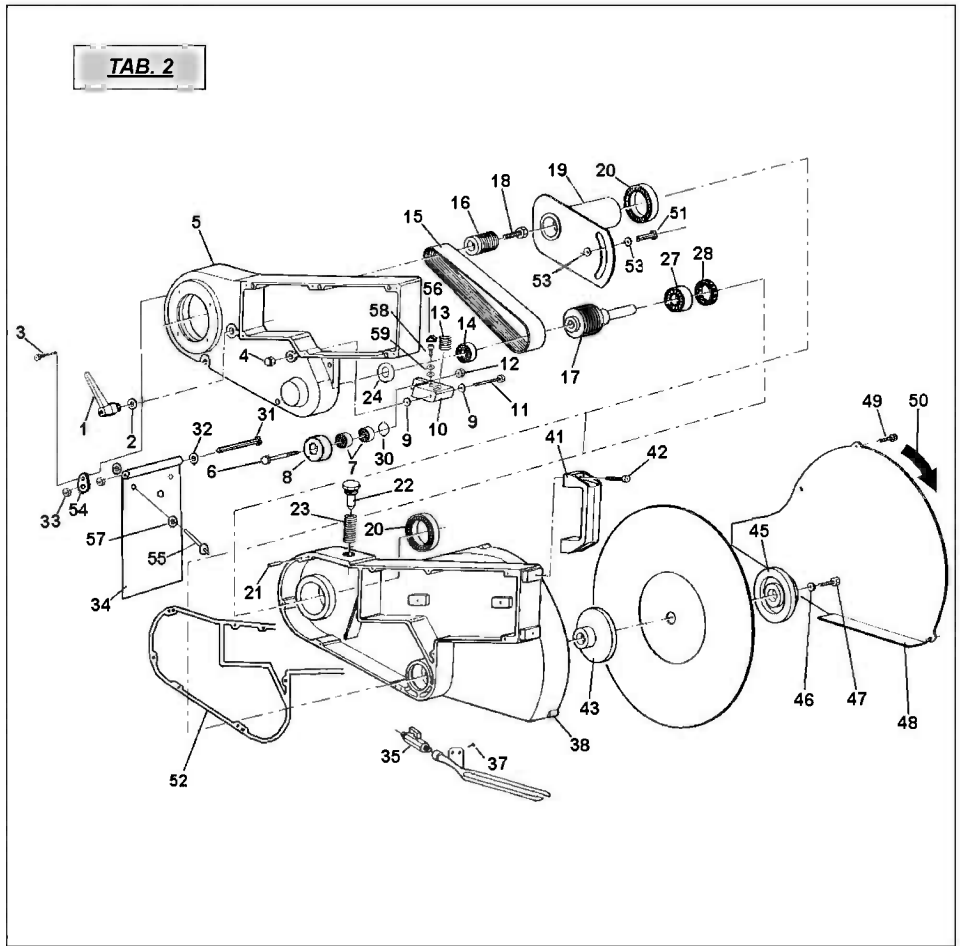
SYMBOL: Interchangeability (example): Pos. 1 P.n. 3204530 was installed on machings up to N° 5240 and Pos.1.1 P.n. 3204520 installed on machine N° 5241 onwards. Pos. 1.1 is interchangeable () with Pos. 1 and Pos. 1.1 are not interchangeable if the () symbol appears in the table.

Rif.	Cod.	I	F	GB	D	E	Note
1	3204530	Riduttore	Réducteur	Reducer	Untersetzungsgetriebe	Reductor	5240
2	3204520	Riduttore	Réducteur	Reducer	Untersetzungsgetriebe	Reductor	5241

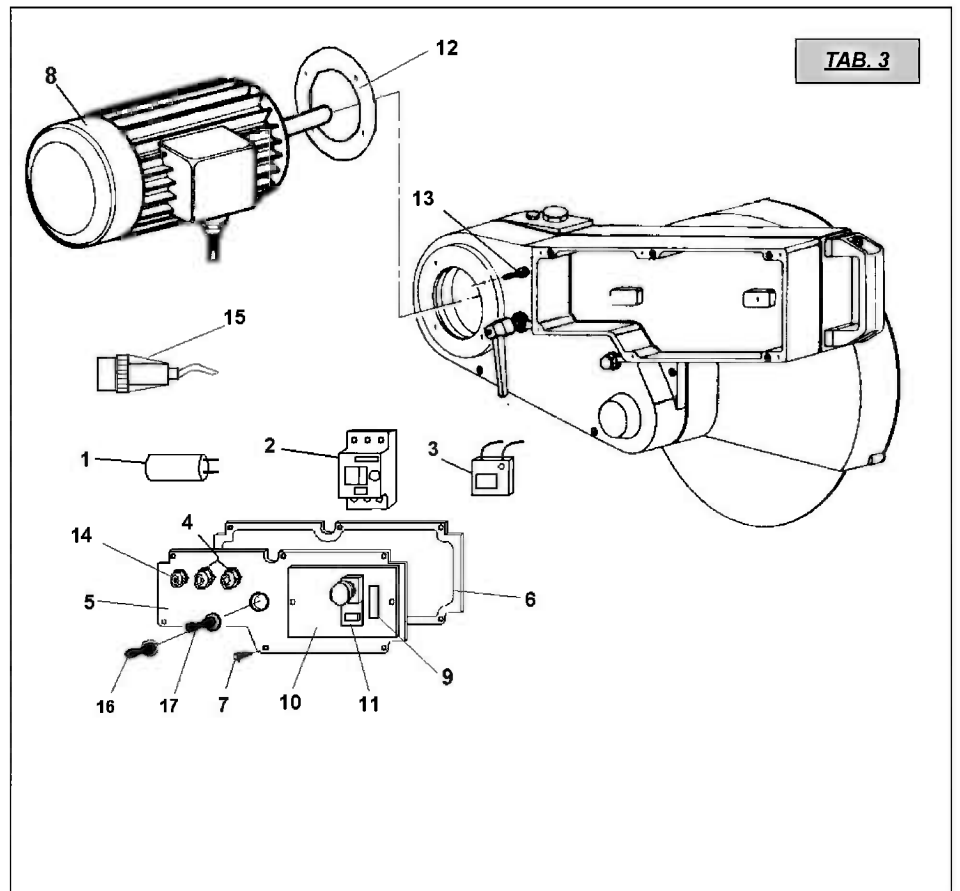
AK 014				TAB. 2 FRAME ASSEMBLY			
RIF.	COD.	USA	DETAILS	RIF.	COD.	USA	DETAILS
1	3208421	CARRIAGE		25	2235428	PLUG	
2	2222061	BOLT	5739 M 8X20	26	3206038	WATER PUMP	115V/60Hz
3	2222515	BOLT	5931 M 8X16		3206269		
4	3204945	BEARING	608-2RS1	27	2292365	TUBE	
5	2223923	SELF LOCKING NUT	M.8	28	3205784	BOLT	5737 M10X100
6	3207397	WHEEL		29	2223650	NUT	5588 M10
7	2222090	BOLT		30	3206104	HEAD CLAMP	
8	3205782	GUIDE BAR		31	2222146	SCREW	5739 M10x30
9	3208442	LEFT FENCE ADHESIVE LABEL		32	2222128	SCREW	5737 M16X60
10	3208441	RIGHT FENCE ADHESIVE LABEL		33	3208414	LEVER	
11	3205581	RUBBER COATING		34	3208429	GONIOMETER	
12	3206045	WASHER		35	3207213	GUIDE BAR SUPPORT	
13	3206086	PIN		36	3208428	TROLLEY SLIDE	
14	3205473	COLLAPSIBLE LEG		37	2224531	WASHER	6593 6x18
15	3205560	ROTARY BLADE ARM		38	2223500	NUT	5588 M4
16	3206096	SUPPORT		39	3206103	LOCK PLATE	
17	2223655	NUT	5589 M10	40	3209333	KNOB	M8
18	3201015	PLUG		41	3208426	TROLLEY CLAMPING	
19	2222587	SCREW		42	2222016	SCREW	5739 M6x20
20	3205689	SPRAY GUARD		43	2223924	NUT	5588 M6
21	3205541	FRAME		44	3209332	CAM	
22	3205526	WATER RUN-OFF TRAY		45	2222018	SCREW	5931 M8X35
23	2222425	SCREW	AUTOFOR.TE 4,2X13	46	2223923	NUT	M8
24	3204818	DRUM					



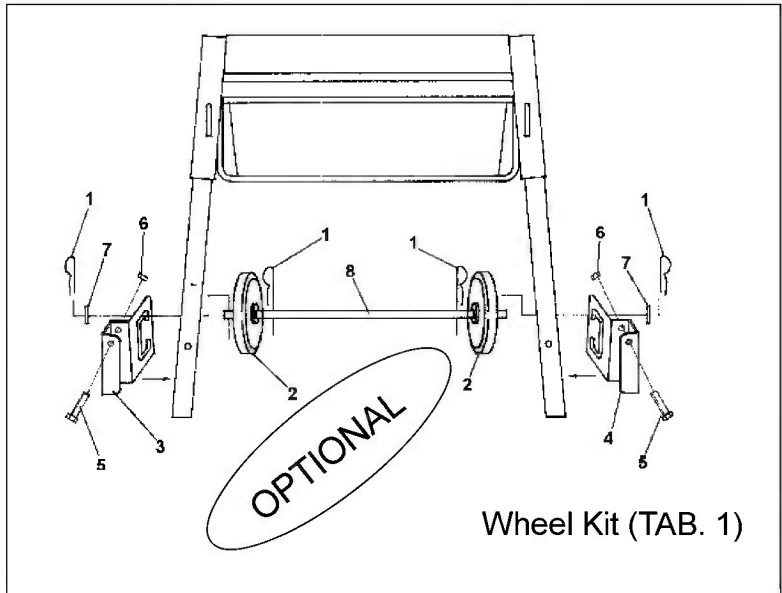
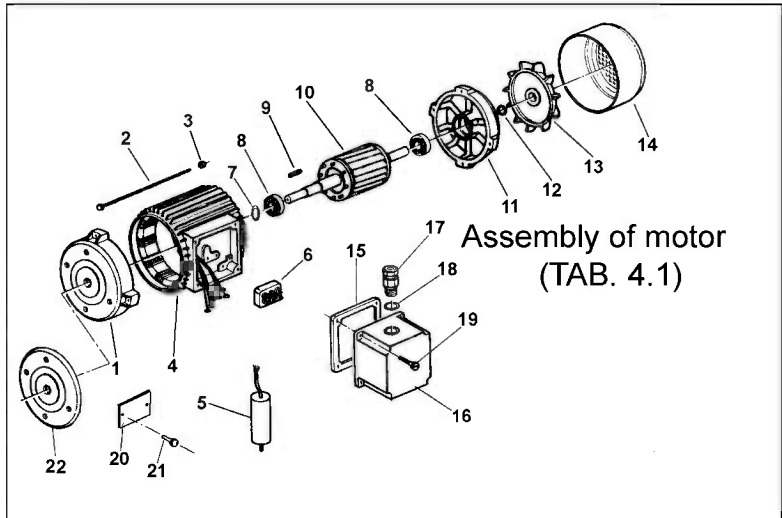
AK014		TAB. 2 MOBILE HEAD ASSEMBLY	
RIF.	COD.	USA	DETAILS
1	2284827	HANDLE	
2	2224380	WASHER	6593 Ø12X25
3	2222545	BOLT	5931 M 6X30
4	2223045	NUT	M10 5721-69
5	3232761	COVER	
6	3214191	BOLT	5737 M10X50
7	3214655	BEARING	6000 2RS
8	3203910	ROLLER	6592 Ø10X20
9	3214198	WASHER	"SS"DN988 10X16X1,6
10	3214193	BELT TENSIONER ARM	
11	2222148	BOLT	5737 M 10X65
12	2223920	NUT	AUT. M10 7474
13	3214202	SPRING	
14	3206514	BEARING	6203 2RS
15	3204737	BELT	
16	3204736	PULLEY	
17	3206739	BLADE SHAF-T-PULLEY	
18	2222016	BOLT	5739 M 6X20
19	3232740	HEAD FULCRUM	COMBI
19	3206488	HEAD FULCRUM	MASONRY 350
20	2204510	BEARING	6009 2RS
21	2228820	PIN	6x14
22	3204788	PIN	
23	3204787	SPRING	
24	3207366	COMPENSATING RING	
27	2204540	BEARING	6205 2RS
28	3232759	OIL SEAL RING	35X52X7
31	3209687	BOLT	5737 M 6X130
32	2224531	WASHER	6593 Ø 6X18
33	2223924	NUT	AUTOBL. M 6
34	3209400	SPRAY GUARD	
35	3205635	VALVE	
36	3209387	TUBE	
37	2222709	BOLT	5739 M 5X10
38	3209385	SUPPORT	
41	2284826	HANDLE	COMBI600-MASONRY
42	2222515	BOLT	5931 M 8X16
43	3204777	INNER FLANGE	
45	3204776	OUTER FLANGE	
46	2224140	WASHER	6593 Ø 8X18
47	2222060	BOLT	5739 M 8X20
48	3209406	BLADE COVER	
49	2222021	BOLT	5739 M6X16
50	3207128	LABEL	
51	3203914	BOLT	TTQ M12X80
52	3232742	GASKET	
53	3206131	WASHER	3545 Ø16x35x1,4
54	3209401	SUPPORT	
55	3209830	RIVET	
56	3213268	SHOCK ABSORBER	
57	2224528	WASHER	6593 Ø5x15
58	2222537	BOLT	M6X10 Z
59	2224530	WASHER	6592 Ø6X12.5



AK014		TAB. 3 ASSEMBLY OF MOTOR	
RIF.	COD.	USA	DETAILS
1	3214262	CAPACITOR	115V/60HZ
	2285601		230V/60HZ
2	3207920	CONTACTOR	
3	3207927	COIL	115V/60HZ
	3207924		230V/60HZ
4	3201503	CABLE-CLAMP	
5	3207933	COVER	
6	3232743	GASKET	
7	3200412	BOLT	
8	3207934	MOTOR	115V/60Hz
	3207937		230V/60Hz
9	3205924	LABEL	
10	3207929	JUNCTION BOX	
11	3207928	PUSH	
12	3232270	GASKET	
13	1222252	BOLT	
14	3201217	CABLE-CLAMP	
15	3207184	PLUG	115V/60Hz
	3208070		230V/60Hz
16	3206171	SWITCH COVER	
17	3206170	WATER PUMP SWITCH	

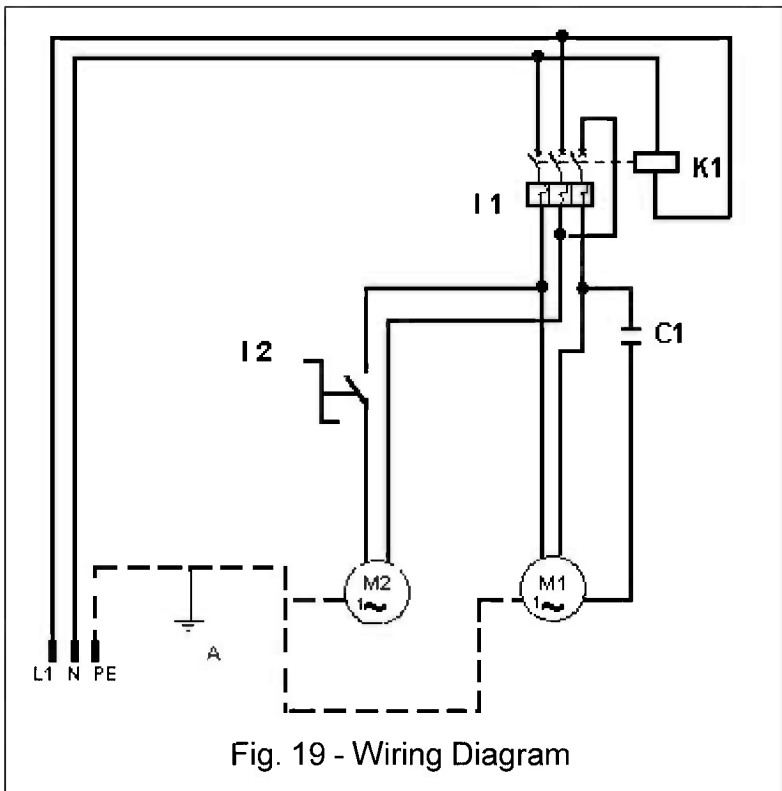


AK014		TAB. 4.1 ASSEMBLY OF MOTOR	
RIF.	COD.	USA	DETAILS
1	3203680	MOTOR FLANGE	115V/60Hz
	3204830		230V/60Hz
2	2222970	BOLT	115V/60Hz
	2222911		230V/60Hz
3	2223352	NUT	115V/60Hz
	2223280		230V/60Hz
4	3213619	CASING AND STATOR	115V/60Hz
	3216622		230V/60Hz
5	3214262	CAPACITOR	115/60 MF80 V250
	2285601		230/50 MF35 V450
6	2281955	TERMINALS	115/60 230/60
7	2227900	SPLIT RING	115V/60Hz
	2237340		230V/60Hz
8	2204390	BEARING	115V/60Hz: 6204 2Z
	2204391		230V/60Hz: 6205 2Z
9	2229325	KEY	6X6X25 6604
10	3203681	ROTOR	115V/60Hz
	3204829		230V/60Hz
11	2291495	COVER	115V/60Hz
	2291494		230V/60Hz
12	2227097	OIL SEAL RING	115V/60Hz
	3214031		230V/60Hz
13	2291453	MOTOR FAN	115V/60Hz
	2291454		230V/60Hz
14	2291281	FAN COVER	115V/60Hz
	2291282		230V/60Hz
15	2216321	GASKET	
16	3213032	COVER	
17	3204411	CABLE CLAMP	IP68 PG16
18	3214028	SEAL RING	Ø18,8X1,8 (PG16)
19	2222465	SCREW	TRILOB.M5X15
20	3203262	RATING PLATE	115V/60Hz
	3203980		230V/60Hz
21	2288792	RIVET	
22	3203678	MOTOR FLANGE	115V/60Hz



		TAB. 1 - WHEEL KIT	
Rif.	Cod.	GB	DETAILS
1	2226700	SPLIT PIN	
2	2211150	WHEEL	
3	3206261	LEFT TUBE GUIDE	
4	3206262	RIGHT TUBE GUIDE	
5	2222082	SCREW	5739 M 10X60
6	2223650	DISK	5588 M10
7	3206641	WASHER	6592 28X50X2
8	3206260	WHEEL TUBE	

Fig.19		USA	
L1	PHASE LINE CONDUCTOR		
N	NEUTRAL LINE CONDUCTOR		
PE	PROTECTION CONDUCTOR		
I1	THERMO-MAGNETIC CUTOUT DEVICE		
C1	MOTOR CAPACITOR		
K1	COIL		
M1	BLADE MOTOR		
M 2	PUMP MOTOR		
I 2	SWITCH		



Masonry 350 Shortcut Lovato switch 110volt Motor

	P/N
1 Switch	3207920
2 Low Volt Coil	3207927
3 Switch Box	3207929
4 Push stop	3207928
5 Water Pump	3206038
6 AMP setting should be set @ 16 Amp's	N/A

Masonry 350 Shortcut Lovato switch 110volt Motor

	P/N
1 Switch	3207920
2 Low Volt Coil	3207927
3 Switch Box	3207929
4 Push stop	3207928
5 Water Pump	3206038
6 AMP setting should be set @ 16 Amp's	N/A

Masonry 350 ShortcutTelemecanique switch 220volt 1phase Motor

	P/N
1 Switch	3207350
2 Low Volt Coil	3207927
3 Switch Box	3207866
4 Push stop	3207362
5 Water Pump	3206269
6 AMP setting should be set @ 16 Amp's	N/A

Masonry 350 Shortcut Lovato switch 220volt 1phase

	P/N
1 Switch	3207920
2 Low Volt Coil	3207924
3 Switch Box	3207929
4 Push stop	3207928
5 Water Pump	3206269
6 AMP setting should be set @ 16 Amp's	N/A